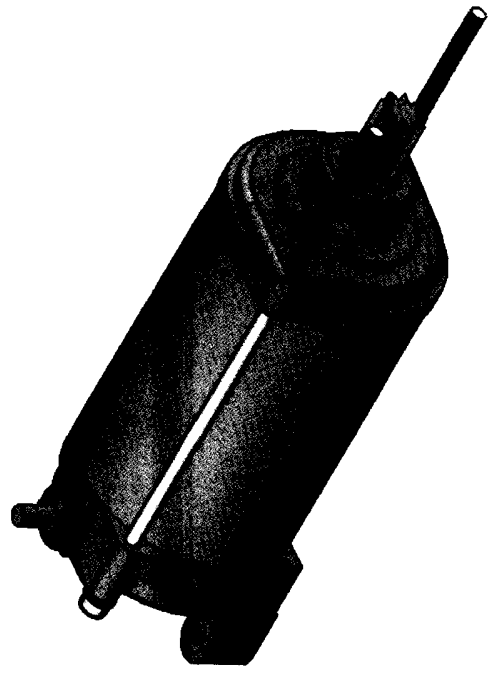
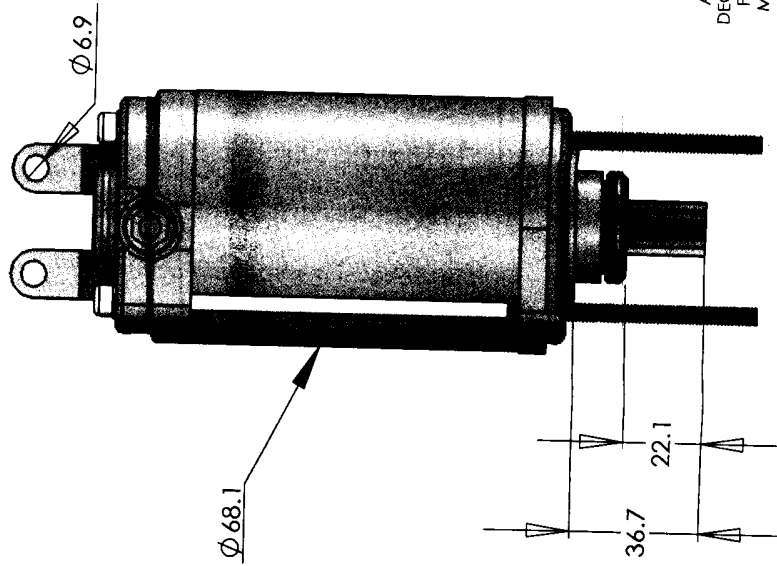
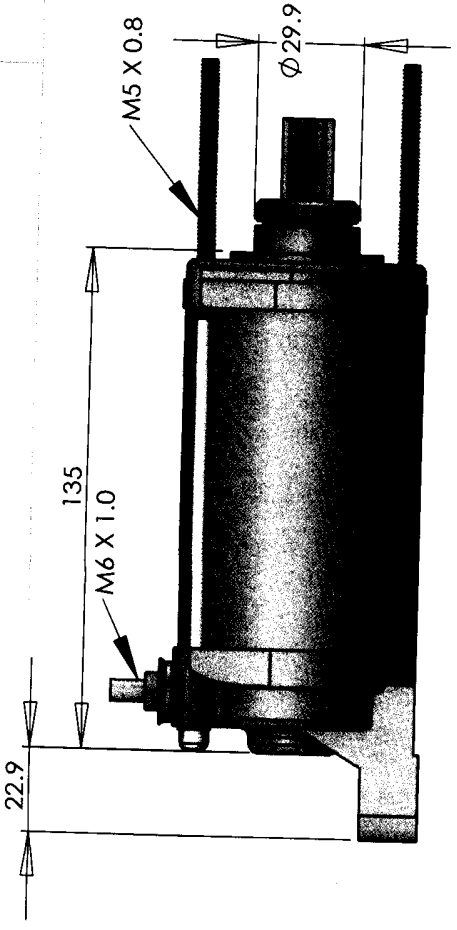
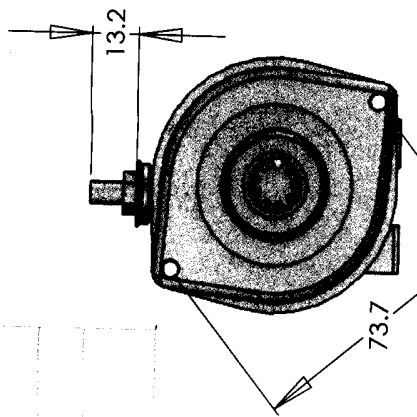


NOTES
1. DIMENSIONS ARE METRIC

SOURCE

REVISIONS

LTR.	DESCRIPTION	DATE	APRV.



STANDARD TOLERANCES

ALL DIMENSIONS IN INCHES UNLESS SPECIFIED
 DECIMALS .XX +/- .030 .XXX +/- .010 ANGLES +/- 1 DEG.
 FRACTIONS +/- 1/16 CONCENTRICITY .005
 METRIC TOLERANCES .X +/- .0.2 .XX +/- .0.02

Sky-Tec Partners, Ltd.
Granbury, Texas

ROTAX STARTER

DRAWN BY: **R. CONDY** DATE: **12/03/07**

DWG. NO. **12RX**

1 2 3 4 5 6 7 8

4) Appendix

the following drawings should convey additional information:

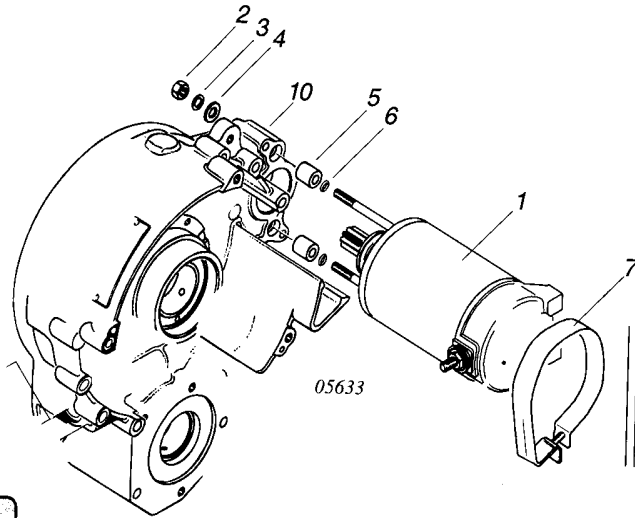


fig. 1

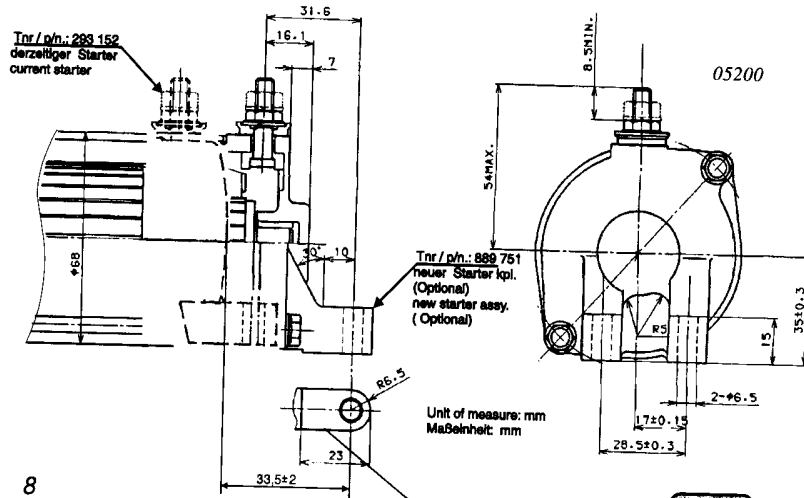
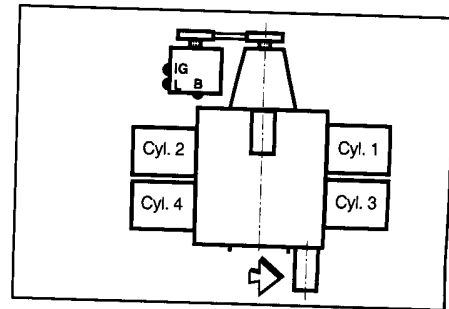


fig. 3

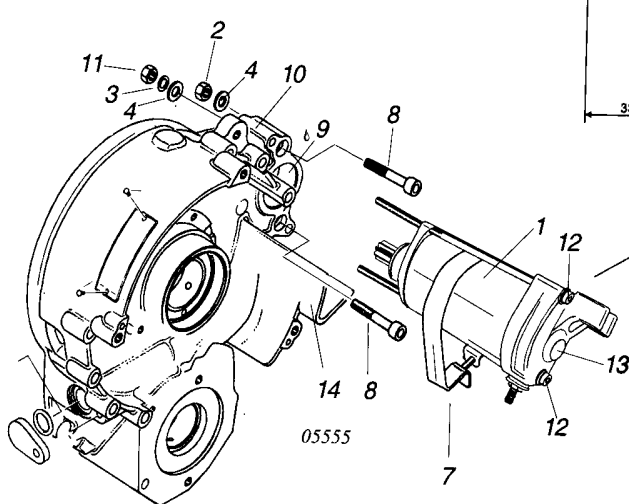


fig. 2

(A)
max. 23 mm (0.91 in.)

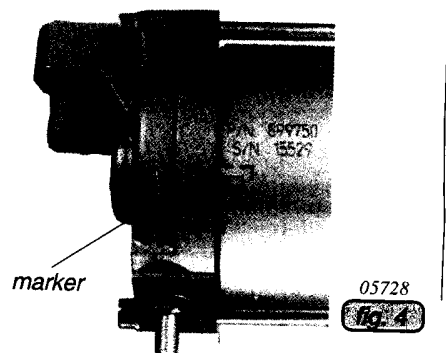


fig. 4

◆ NOTE: The illustrations in this document show the typical construction. They may not represent full detail or the exact shape of the parts which have the same or similar function. Exploded views are **not technical** drawings and are for reference only. For specific detail, refer to the current documents of the respective engine type.