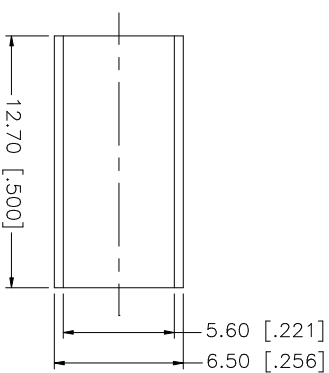
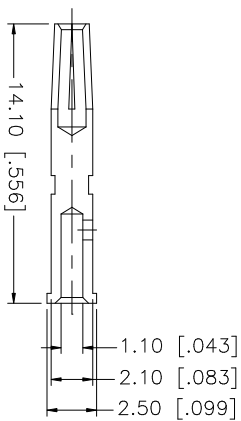
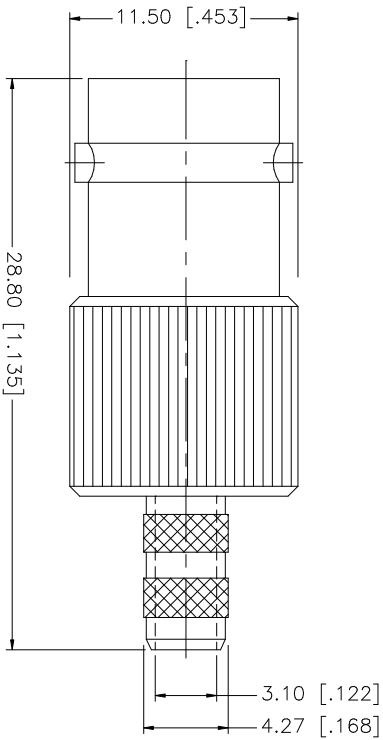
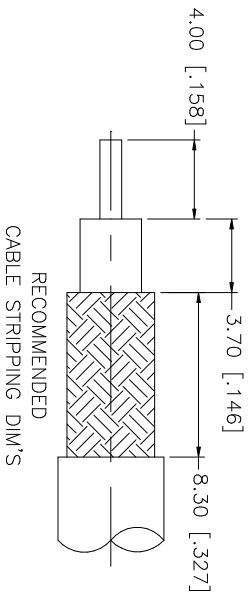


REV.	DATE	DESCRIPTION
NC	07/31/05	INITIAL RELEASE
A	10/30/05	MODIFY FERRULE DIMENSIONS, ADD CABLE DESCRIPTION.



NOTE:

1. CRIMPED FERRULE
HEX CRIMP SIZE .213"
2. CRIMPED CONTACT PIN
HEX CRIMP SIZE .068"

Amphenol **Comnex**

PART DESCRIPTION
BNC CRIMP JACK
(FOR RG-223/U, 142/U, 402/U CABLE)

PART NO. 112513

QTY	FINISH	MATERIAL	DESCRIPTION
1	NICKEL	BRASS	HOUSING/BODY
1	NATURAL	DELRIN	INSULATOR
1	GOLD	PHOS. BRONZE	CONTACT PIN
1	NICKEL	COPPER	FERRULE

APPROVALS	DATE	DWG. NO.	REV.	SIZE	SCALE
DO NOT SCALE DRAWING		C:/112/112513.DWG	A	A	NA
UNLESS OTHERWISE SPECIFIED DIMENSIONS ARE IN MILLIMETERS. DIMENSIONS IN [] ARE IN INCHES AND FOR CUSTOMER REFERENCE ONLY.					
UNLESS OTHERWISE SPECIFIED TOLERANCES FOR MILLIMETERS ARE:					
0.5 - 8mm ± 0.20mm					
8 - 30mm ± 0.40mm					
30 - 120mm ± 0.50mm					
UNLESS OTHERWISE SPECIFIED TOLERANCES FOR INCHES ARE:					
.020 - .315 = ± 0.007"					
.315 - 1.180 = ± 0.015"					
1.180 - 4.724 = ± 0.020"					
CAD FILE					
1 OF 1					
DRAWN G.R.S.	10/30/05				
CHECKED					
ISSUED					
SHEET					