



SERVICE PARTS LIST

BULLETIN NO.
54-49-2605

SPECIFY CATALOG NO. AND SERIAL NO. WHEN ORDERING PARTS		REVISED BULLETIN	DATE
M18™ BLUETOOTH JOBSITE RADIO			May 2023
CATALOG NO.	2952-20	SERIAL NUMBER	N86A
WIRING INSTRUCTION			

EXAMPLE:

00 0
Component Parts (Small #)
Are Included When Ordering
The Assembly (Large #).

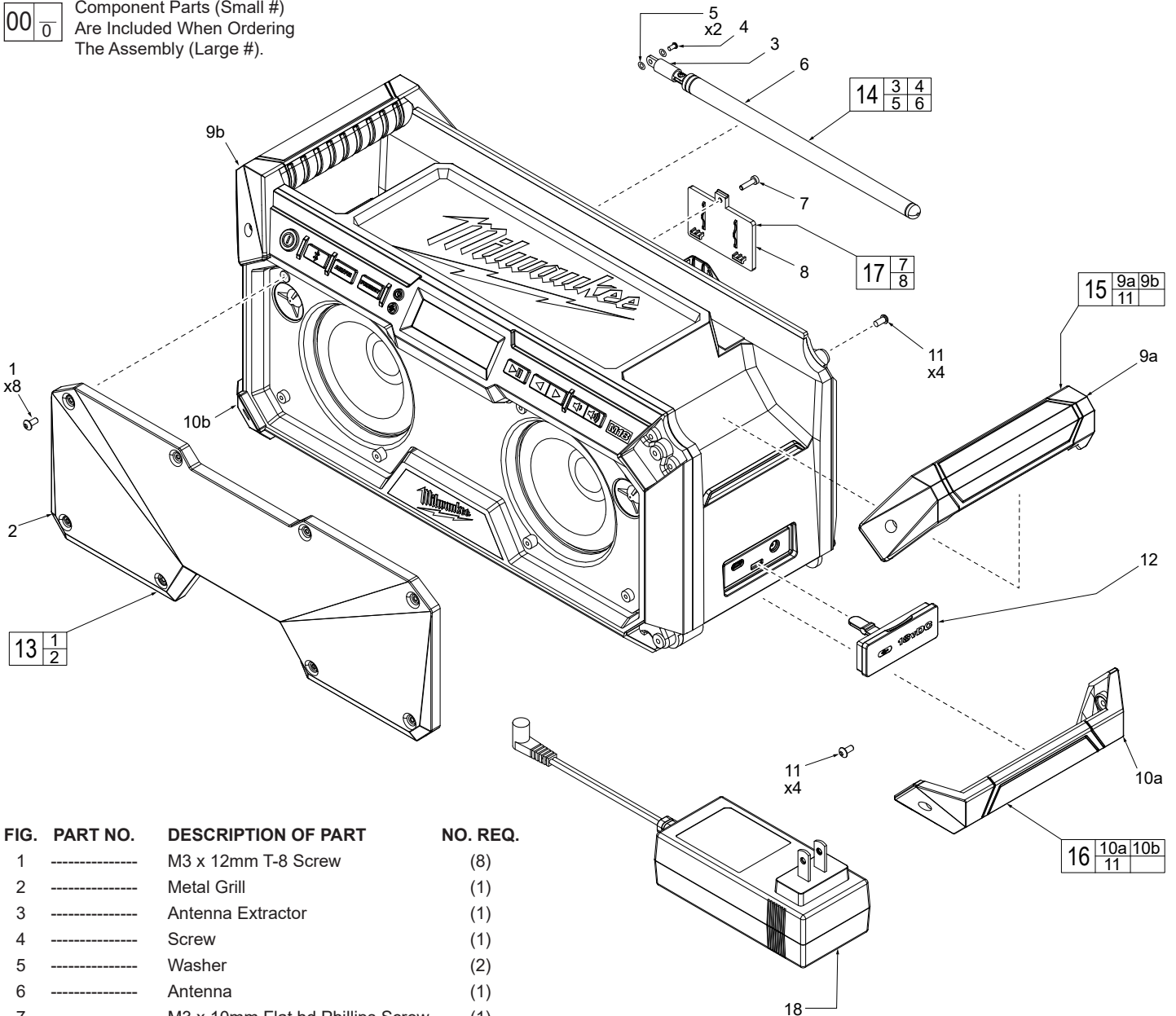


FIG.	PART NO.	DESCRIPTION OF PART	NO. REQ.
1	-----	M3 x 12mm T-8 Screw	(8)
2	-----	Metal Grill	(1)
3	-----	Antenna Extractor	(1)
4	-----	Screw	(1)
5	-----	Washer	(2)
6	-----	Antenna	(1)
7	-----	M3 x 10mm Flat hd Phillips Screw	(1)
8	-----	Battery Cover	(1)
9a	-----	Right Handle	(1)
9b	-----	Left Handle	(1)
10a	-----	Right Bumper	(1)
10b	-----	Left Bumper	(1)
11	-----	M3.5 x 16mm T-15 Screw	(8)
12	31-15-0174	Rubber USB Cover	(1)
13	14-46-0454	Metal Grill w/ Screws Kit	(1)
14	42-09-0027	Antenna Kit	(1)
15	31-44-0358	Handle Kit	(1)
16	42-38-0163	Bumper Kit	(1)
17	31-21-0072	Battery Cover Kit	(1)
18	42-04-0022	AC Adaptor	(1)
19	12-20-0317	Service Nameplate (Not Shown)	(1)

FIG. NOTES
19 A clean, dry surface is essential for proper performance for any adhesive system. The area intended for application of any adhesive label or nameplate must be prepared by cleaning with isopropyl alcohol. The solvent is to be applied with a clean, lint free applicator and the surface allowed to dry before applying the label or nameplate.