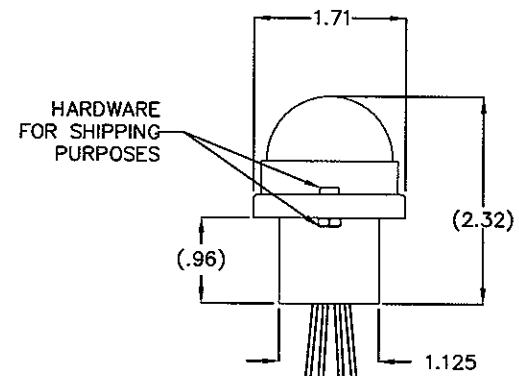
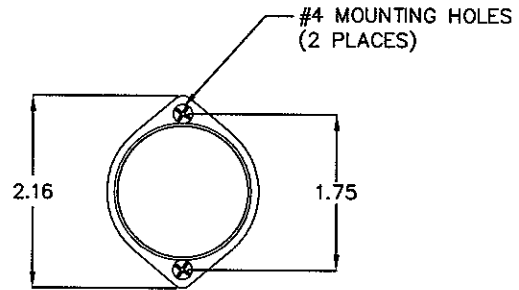
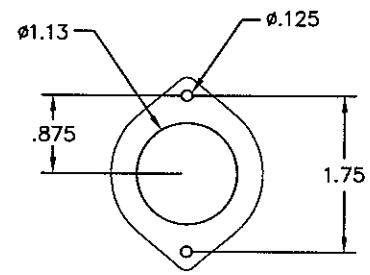


REV	ECH	DESCRIPTION	DATE
-	-	INITIAL RELEASE	12/9/09



BLACK (GROUND)  
RED (+14V POS)  
ORANGE (+14VDC ACL)  
YELLOW (SYNC)

20 AWG WIRES  
8.00" ±1.00"  
MIL-22759/43



SUGGESTED MTG. PLAN

- NOTES:
- SPECIFICATIONS:  
NOMINAL OPERATING VOLTAGE: 14VDC  
ANTI-COLLISION LIGHT: .15 A (AVERAGE)  
.8 A (PULSE)  
ANTI-COLLISION FLASH RATE: 45 CFPM, ± 5 CFPM  
TAIL NAVIGATION LIGHT: .18 A  
WEIGHT: .15 LBS.
  - LIGHT SOURCE: LIGHT EMITTING DIODE (LED)  
COLOR: WHITE
  - LENS: HARDCOATED POLYCARBONATE, CLEAR
  - SELF CONTAINED FLASHER CIRCUIT
  - HOUSING MATERIAL: 6061-T6 ALUMINUM  
FINISH: IRIDITE MIL-C-5541 CLASS 3, CLEAR  
RETAINER: 6063-T5 ALUMINUM

*	*	01-0271527-00	ASSY, MODEL MB1 A/C & TAIL NAV LIGHT (14V)
*	*	01-0771490-00	MODEL MB1 A/C & TAIL NAV LIGHT (14V)
QTY.	ITEM	PART NUMBER	DESCRIPTION
THIS DRAWING IS PROPRIETARY TO THE WHELEN ENG. CO. INC. ANY REPRODUCTION, DISCLOSURE OR USE OF THIS DRAWING WITHOUT WRITTEN AUTHORIZATION FROM WHELEN ENG. CO. INC. IS PROHIBITED.			
		<b>WHELEN</b> ® ROUTE 145 CHESTER, CT 06412-0684 ENGINEERING COMPANY INC. TELEPHONE (860)526-9504	
		<b>MODEL MB1          ANTI-COLLISION &amp; TAIL          NAVIGATION LIGHT</b>	
TOLERANCE: UNLESS OTHERWISE SPECIFIED		DR. MLM	SCALE
ANGLES ±1/2°		CL. TMF	DATE
.XX = ±.020		ENG. MLM	NONE
.XXX = ±.010		DWG NO.	11/5/09
		APP. TMF	RELEASE DATE
			12/9/09
© 2009 WHELEN ENG. CO. INC.   CAGE CODE 10402			REV
			ISSUE
			1
			SHEET OF
			1 1