

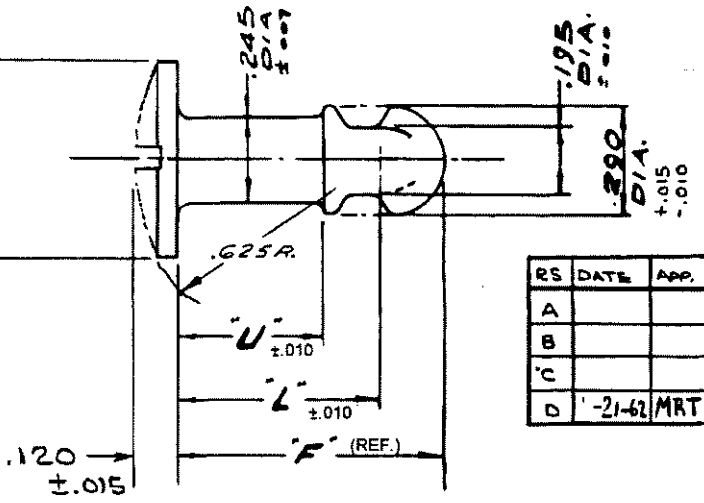
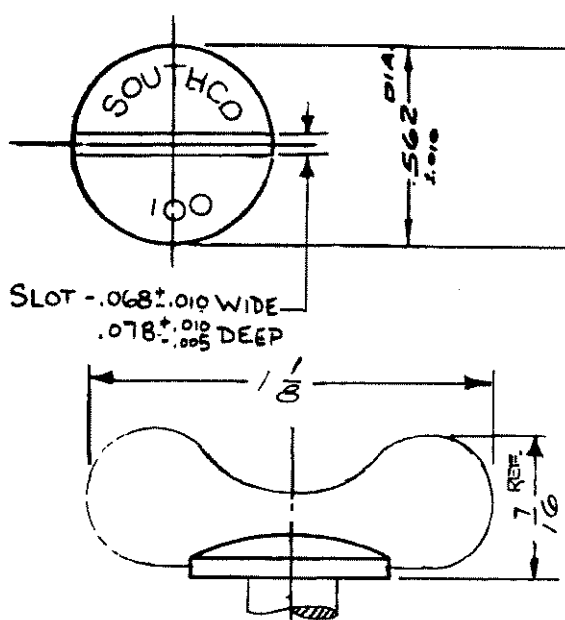
DRAWING NUMBER		SCALE		CHKD		DRAWN		DATE		SOUTHCO No.85		OVAL HEAD STUD SPECIFICATIONS		DRAWING NUMBER	
J-85-15-16-1				A.S.K.		A.S.K.		7-29-58						J-85-15-16-1	

SOUTHCO PART No.	LION PART No.	U	L	F
85-12-060-16	5-W-60	.165	.320	.505
↑12-080-↑	5-W-80	.185	.340	.525
·12-100·	5-W-100	.205	.360	.545
-12-120-	5-W-120	.225	.380	.565
-12-140-	5-W-140	.245	.400	.585
-12-160-	5-W-160	.265	.420	.605
-12-180-	5-W-180	.285	.440	.625
-12-200-	5-W-200	.305	.460	.645
·12-220·	5-W-220	.325	.480	.665
-12-240-	5-W-240	.345	.500	.685
-12-260-	5-W-260	.365	.520	.705
·12-280·	5-W-280	.385	.540	.725
-12-300-	5-W-300	.405	.560	.745
·12-320·	5-W-320	.425	.580	.765
-12-340-	5-W-340	.445	.600	.785
·12-360·	5-W-360	.465	.620	.805
·12-380·	5-W-380	.485	.640	.825
-12-400-	5-W-400	.505	.660	.845
-12-420-	5-W-420	.525	.680	.865
·12-440·	5-W-440	.545	.700	.885
·12-460·	5-W-460	.565	.720	.905
·12-480·	5-W-480	.585	.740	.925
↓12-500↓	5-W-500	.605	.760	.945
85-12-520-16	5-W-520	.625	.780	.965

SOUTHCO PART No.	LION PART No.	U	L	F
85-12-540-16	5-W-540	.645	.800	.985
↑12-560-↑	5-W-560	.665	.820	1.005
·12-580·	5-W-580	.685	.840	1.025
-12-600-	5-W-600	.705	.860	1.045
-12-620-	5-W-620	.725	.880	1.065
-12-640-	5-W-640	.745	.900	1.085
-12-660-	5-W-660	.765	.920	1.105
·12-680·	5-W-680	.785	.940	1.125
·12-700·	5-W-700	.805	.960	1.145
-12-720-	5-W-720	.825	.980	1.165
-12-740-	5-W-740	.845	1.000	1.185
-12-760-	5-W-760	.865	1.020	1.205
-12-780-	5-W-780	.885	1.040	1.225
-12-800-	5-W-800	.905	1.060	1.245
·12-820·	5-W-820	.925	1.080	1.265
-12-840-	5-W-840	.945	1.100	1.285
-12-860-	5-W-860	.965	1.120	1.305
-12-880-	5-W-880	.985	1.140	1.325
·12-900·	5-W-900	1.005	1.160	1.345
-12-920-	5-W-920	1.025	1.180	1.365
·12-940·	5-W-940	1.045	1.200	1.385
-12-960-	5-W-960	1.065	1.220	1.405
↓12-980↓	5-W-980	1.085	1.240	1.425
85-12-1000-16	5-W-1000	1.105	1.260	1.445

REV N-06 AUG 93-MPF-PRV-5-99/N-1

SOUTHCO



RS	DATE	APP.
A		
B		
C		
D	-21-62	MRT

MATERIAL - STEEL
 CASE HARDENED.
 FINISH - ZINC PLATE, CHROMATE PLUS SEALER.

TOLERANCE UNLESS OTHERWISE NOTED - ALL DIMENSIONS ±.020