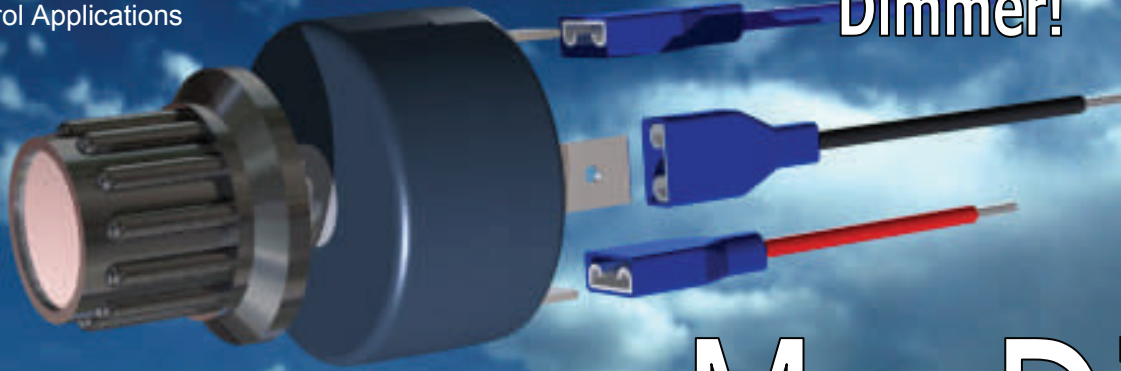


- Aircraft Cabin Lighting
- Incandescent & LED
- Instrument Panels
- Hundreds of DC Lighting Control Applications

The Complete Compact, Light Weight, Powerful, Solid State Dimmer!



MaxDim

5-35 VDC 0-12.5 A
Control 440 Watts Max In a
1-1/4 INCH DIA PACKAGE



—SPECIFICATIONS—

Voltage Range: 5 to 35VDC

Max Current: 12.5 A

Controlled Output: 0 to 5/35 VDC 0 to 12.5A

Capacity:

- ★ 60 Watts @ 5 VDC
- ★ 150 Watts @ 12 VDC
- ★ 288 Watts @ 24 VDC
- ★ 350 Watts @ 28 VDC
- ★ 440 Watts @ 35 VDC

Install with Standard Supplied Solderless Crimp Connectors

Recommended Wiring Spec:

Temperature: -65° C to 200° C

Specifications: MIL-W-16878E/4 Type E

Conductor: Silver-plated copper

Potentiometer Rotation: 270 Deg,

Rotational Life: 500KTurns

Operating Temperature range: -20°C to +50°C

Internal Temperature Protect: +85 °C

Storage Temperature: -40°C to +100°C

Maximum Internal Temperature: @12.5A
+15 °C above Ambient.

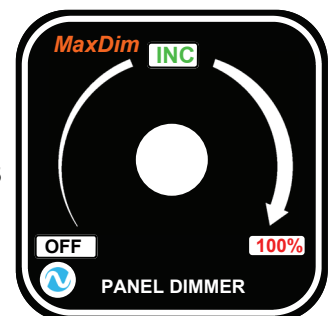
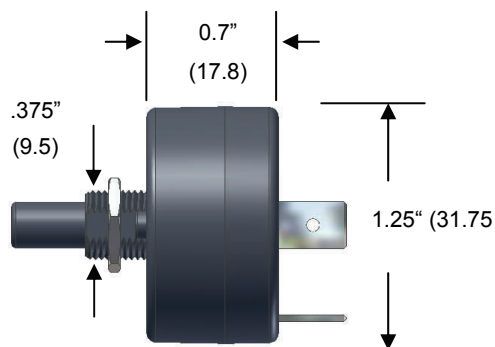
Enclosure Material: Bayer FR 110 Resin

Meets UL 94 Flame Rating: V-2 (0.03in) V-0 (0.059in)
5VB (0.098in) 5VA (0.13in)

RTCA/DO160E Qualified

FAA PMA STC SA01800SE

Order: MaxDim P/N 9100-000-A



Weight: 0.58 oz (16.6g)



Seaton Engineering Corp.

Spokane Valley, WA 99016

509.928.0633