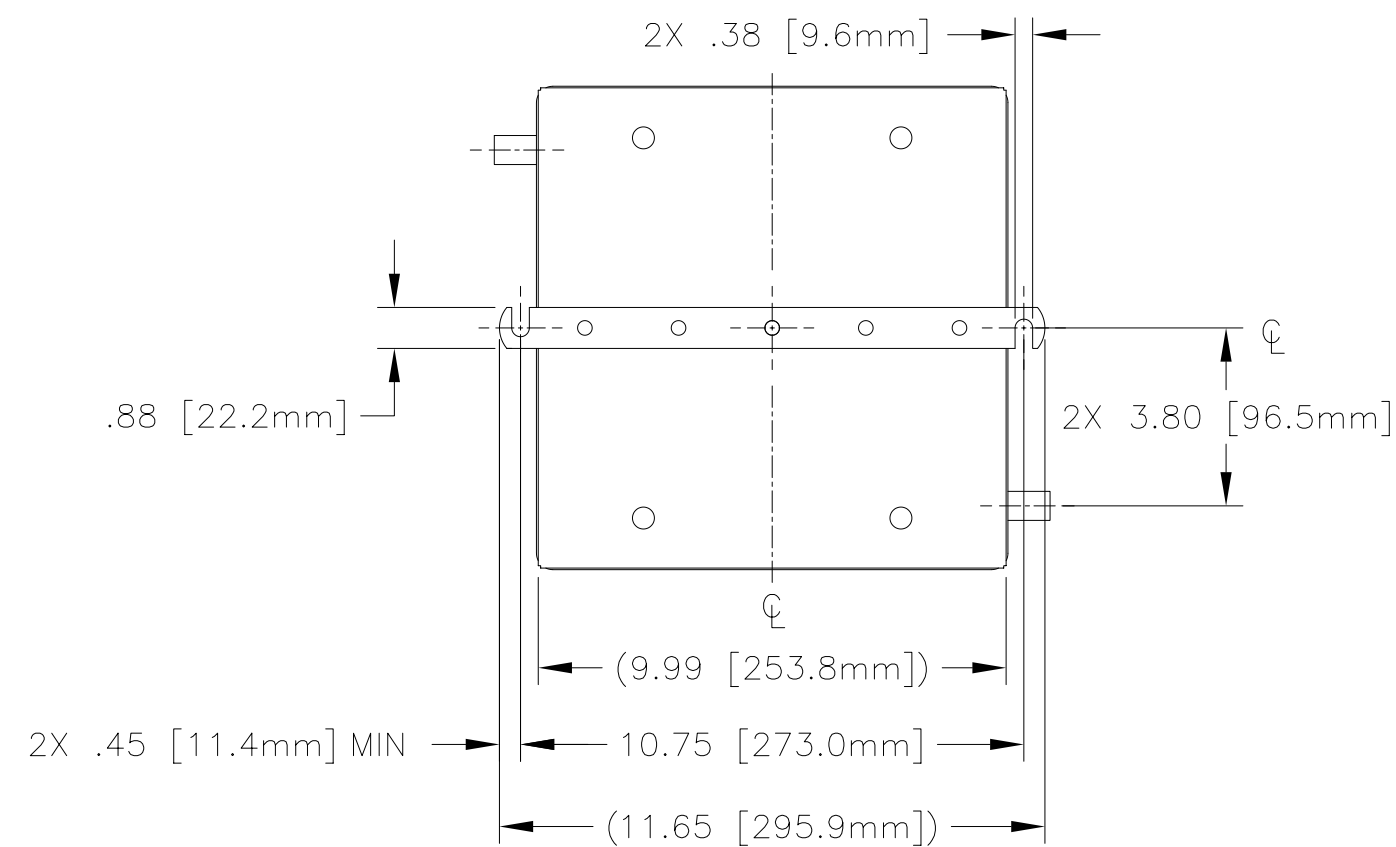


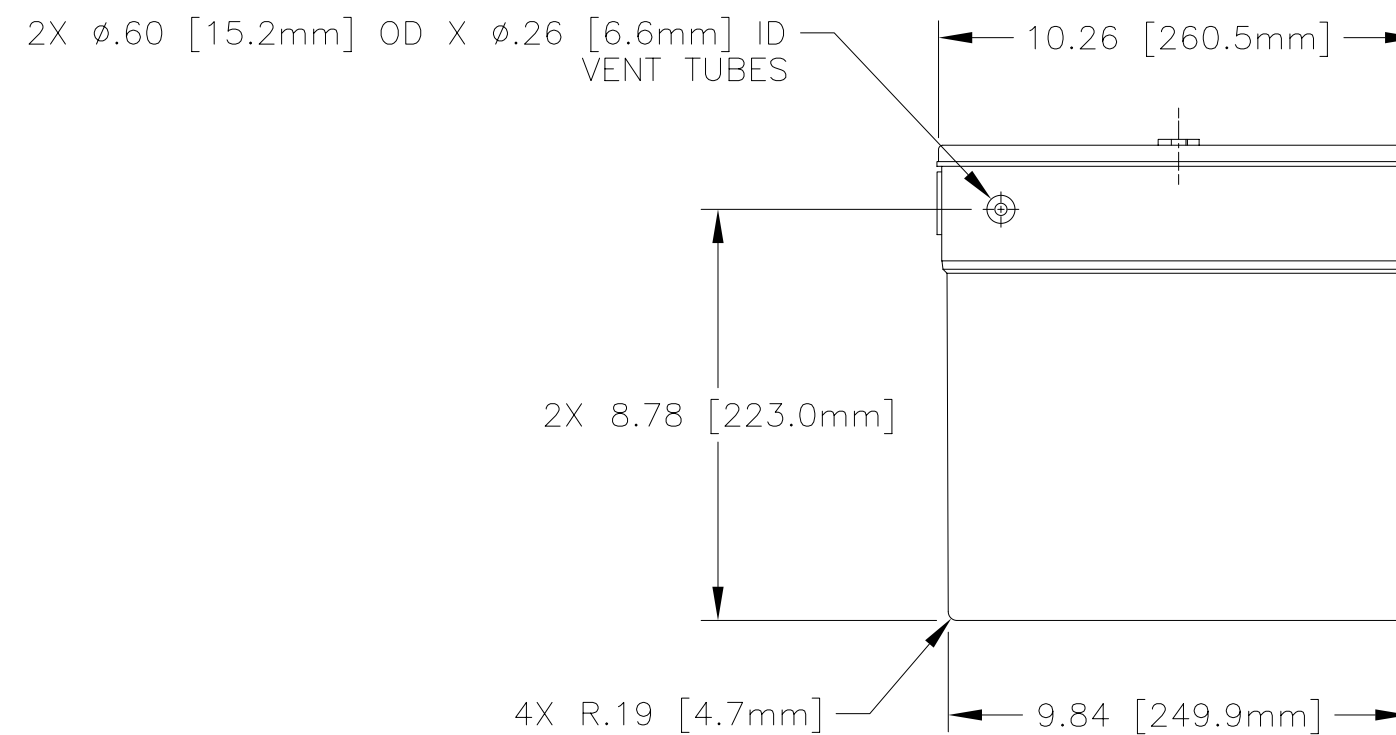
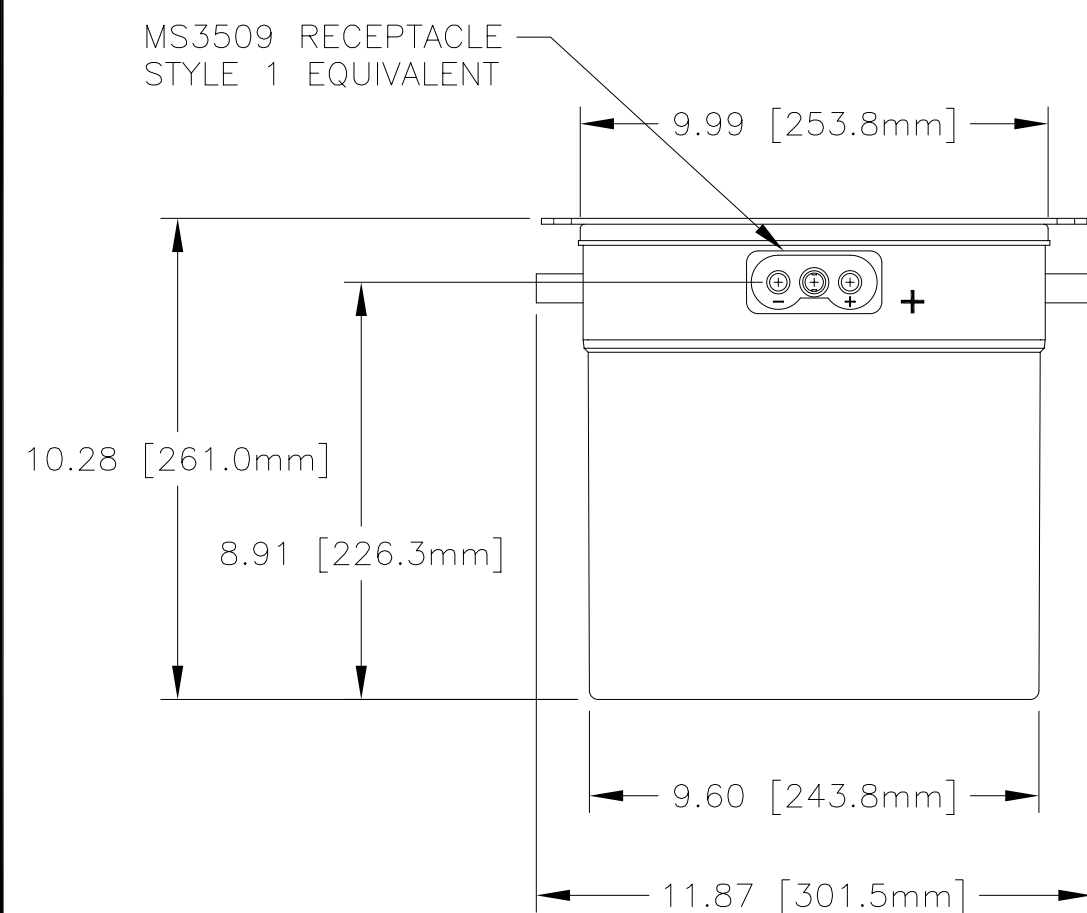
NOTES: UNLESS OTHERWISE SPECIFIED

- BATTERY CONFORMS TO THE DESIGN REQUIREMENTS OF 14 CFR PART 25.1353(c).
- INSPECT PER FAR 21.303(h) QUALITY SYSTEM.
- ABBREVIATION USED IN TITLE IS: VALVE REGULATED SEALED LEAD ACID (VRSLA).
- BATTERY WITH "A" SUFFIX IS PRIVATE LABEL.
- SEE DRAWING CB-00150 AND PROCEDURE P-1000 FOR ASSEMBLY AND TEST INSTRUCTION. PROCEDURES AND ASSEMBLY DRAWINGS ARE FOR INTERNAL USE ONLY.
- BATTERIES ARE RATED IAW INTERNATIONAL ELECTROTECHNICAL COMMISSION STANDARD 952-1, UNLESS OTHERWISE NOTED.

REVISIONS			
REV	DESCRIPTION	DATE	APPROVED
N	SEE DCN RG-380EN	3/17/00	JBT
P	REVISED RATINGS	5/10/00	JBT



PART NUMBER	RG-380E/44	RG-380E/44A	RG-380E/40B	RG-380E/40A1
FORMER PART NUMBER	RG-380E/40	RG-380E/40TC		
MAXIMUM WEIGHT	86 LBS [39.0 KG]	86 LBS [39.0 KG]	81 LBS [36.7 KG]	81 LBS [36.7 KG]
RATED CAPACITY, C ₁	42 AH	42 AH	38 AH	38 AH
POWER RATING AT 23°C	lpr 1204A, lpp 1580A	lpr 1204A, lpp 1580A	lpr 881A, lpp 1252A	lpr 881A, lpp 1252A
POWER RATING AT -18°C	lpr 799A, lpp 1194A	lpr 799A, lpp 1194A	lpr 470A, lpp 1225A	lpr 470A, lpp 1225A
POWER RATING AT -30°C	lpr 608A, lpp 778A	lpr 608A, lpp 778A	lpr 313A, lpp 662A	lpr 313A, lpp 662A
MINIMUM CAPACITY FOR AIRWORTHINESS	35.7 AH	35.7 AH	32.3 AH	32.3 AH



ENVELOPE DRAWING

ENGINEERING COPY 11MAY00

QTY REQD	CAGE CODE	PART OR IDENTIFYING NO.	NOMENCLATURE OR DESCRIPTION	MATERIAL SPECIFICATION	ITEM NO.
PARTS LIST					
UNLESS OTHERWISE SPECIFIED DIMENSIONS ARE IN INCHES TOLERANCES ARE: FRACTIONS DECIMALS ANGLES .XX ± .06 .XXX ± .030			CONCORDE BATTERY CORPORATION 2009 SAN BERNARDINO RD, W. COVINA, CA 91790		
TREATMENT NONE		APPROVALS		DATE	
FINISH NONE		DRAWN JPS		12/7/90	
SIMILAR TO		CHECKED JPS		12/7/90	
ACT WT		APPROVED JPS		12/7/90	
CALC WT		ISSUED DR		5/11/00	
TITLE BATTERY, VRSLA, 24 VOLT RG-380E SERIES			SIZE CAGE CODE DWG NO. REV C 63017 RG-380E P		
SCALE 1/4			SHEET 1 OF 1		