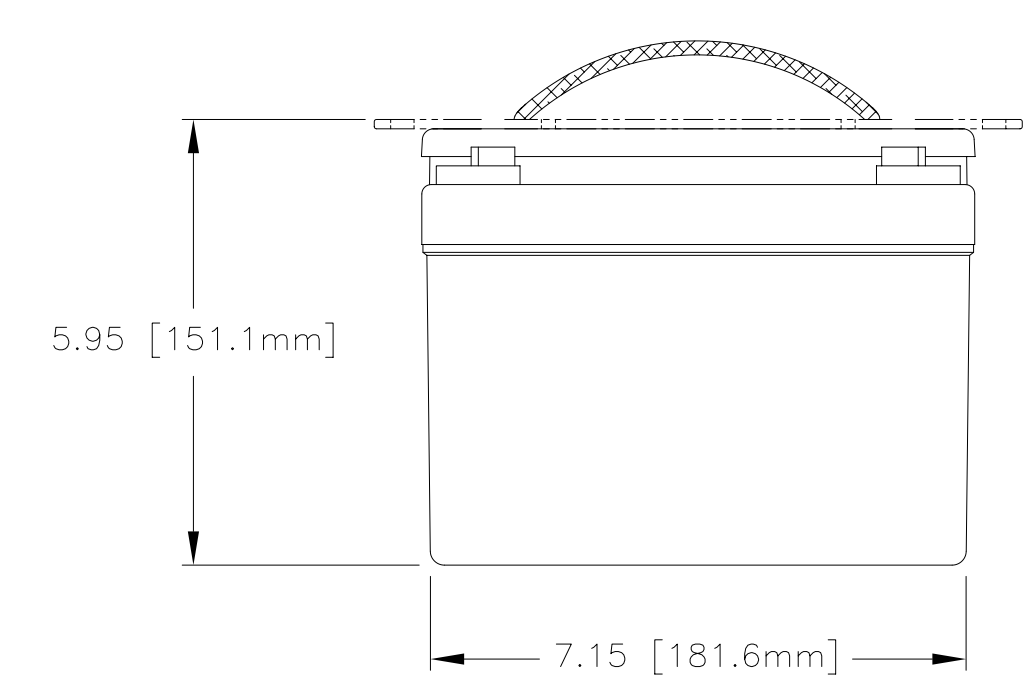
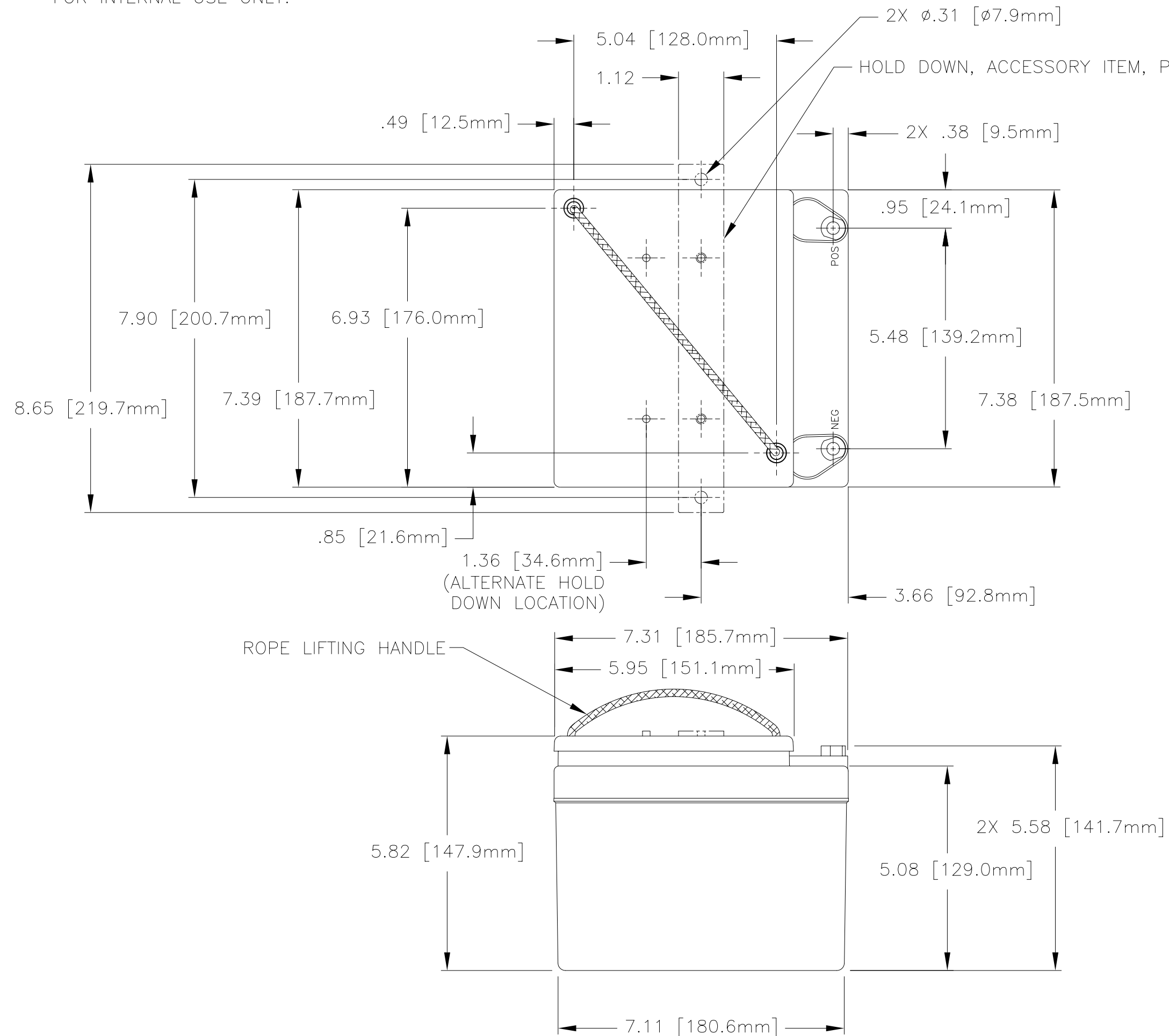


NOTES: UNLESS OTHERWISE SPECIFIED

- ABBREVIATION USED IN TITLE IS: VALVE REGULATED SEALED LEAD ACID (VRSLA).
- INSPECT PER FAR 21.303(h) QUALITY SYSTEM.
- BATTERY CONFORMS TO THE DESIGN REQUIREMENTS OF 14 CFR PART 25.1353(c).
- SEE DRAWING NUMBER CB-00229 AND PRODUCTION INSTRUCTION PI-1000 FOR ASSEMBLY AND TEST INSTRUCTION. PRODUCTION INSTRUCTIONS AND ASSEMBLY DRAWINGS ARE FOR INTERNAL USE ONLY.
- TERMINAL HARDWARE KIT (CBC PN 9586) CONTAINS M8 HEX HEAD SCREWS AND CONICAL WASHERS.
- BATTERIES ARE RATED IAW INTERNATIONAL ELECTROTECHNICAL COMMISSION STANDARD 952-1, UNLESS OTHERWISE NOTED.

REVISIONS			
REV	DESCRIPTION	DATE	APPROVED
A	REVISED TERMINAL	9/9/98	JBT
B	REVISED LIFTING HOLES TO ROPE LIFTING HANDLE	9/29/05	JBT

PART NUMBER	RG24-11
MAXIMUM WEIGHT	26.5 LBS [12.0 KG]
RATED CAPACITY, C ₁	11 AH
POWER RATING AT 23°C	I _{pr} 504 A, I _{pp} 859 A
POWER RATING AT -18°C	I _{pr} 331 A, I _{pp} 654 A
POWER RATING AT -30°C	I _{pr} 224 A, I _{pp} 495 A



ENVELOPE DRAWING

QTY REQD	CAGE CODE	PART OR IDENTIFYING NO.	NOMENCLATURE OR DESCRIPTION	MATERIAL SPECIFICATION	ITEM NO.
PARTS LIST					
UNLESS OTHERWISE SPECIFIED DIMENSIONS ARE IN INCHES TOLERANCES ARE: FRACTIONS DECIMALS ANGLES .XX ± .06 .XXX ± .060			CONCORDE BATTERY CORPORATION 209 SAN BERNARDINO RD, W. COVINA, CA 91790		
TREATMENT NONE		CHECKED AMIII	DATE 5/17/97	TITLE BATTERY, VRSLA, 24 VOLT	
FINISH NONE		APPROVED JBT	DATE 7/25/97	SIZE C	REV B
SIMILAR TO		ACT WT	CALC WT	ISSUED NS	DATE 10/4/05
				DWG NO. RG24-11	SCALE NONE
				SHEET 1 OF 1	

ENGINEERING COPY 04OCT05