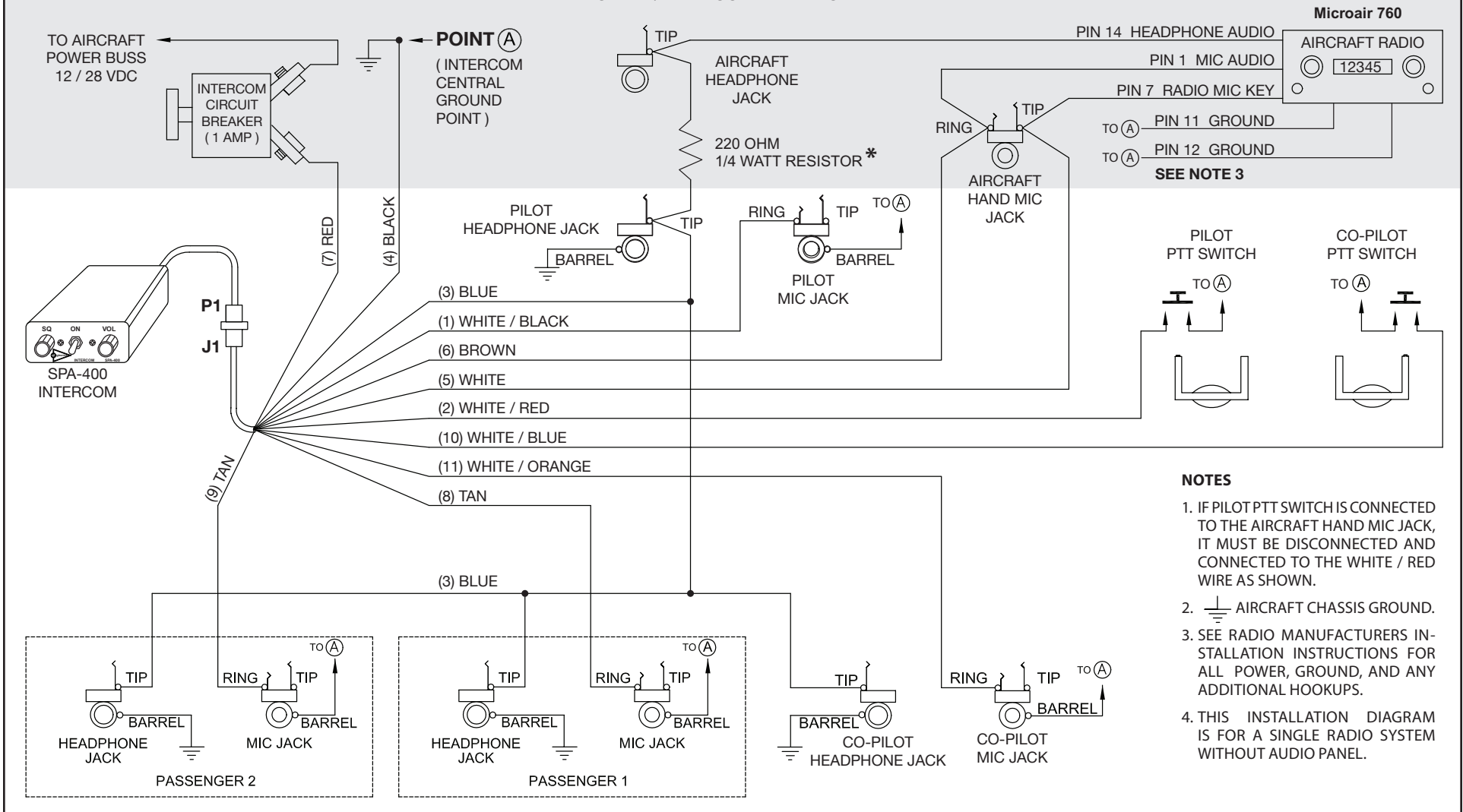


Figure 4

AIRCRAFT / INTERCOM INTERFACE AREA



- NOTES**
1. IF PILOT PTT SWITCH IS CONNECTED TO THE AIRCRAFT HAND MIC JACK, IT MUST BE DISCONNECTED AND CONNECTED TO THE WHITE / RED WIRE AS SHOWN.
  2.  $\perp$  AIRCRAFT CHASSIS GROUND.
  3. SEE RADIO MANUFACTURERS INSTALLATION INSTRUCTIONS FOR ALL POWER, GROUND, AND ANY ADDITIONAL HOOKUPS.
  4. THIS INSTALLATION DIAGRAM IS FOR A SINGLE RADIO SYSTEM WITHOUT AUDIO PANEL.

SPA-400 - Microair 760 Radio Installation Wiring Diagram

**\* ICS Load Modification**  
 For more information about this resistor mod see the ICS Load Modification instructions.  
 File Name: [ICS-Load\\_1440\\_Mod.pdf](#)

