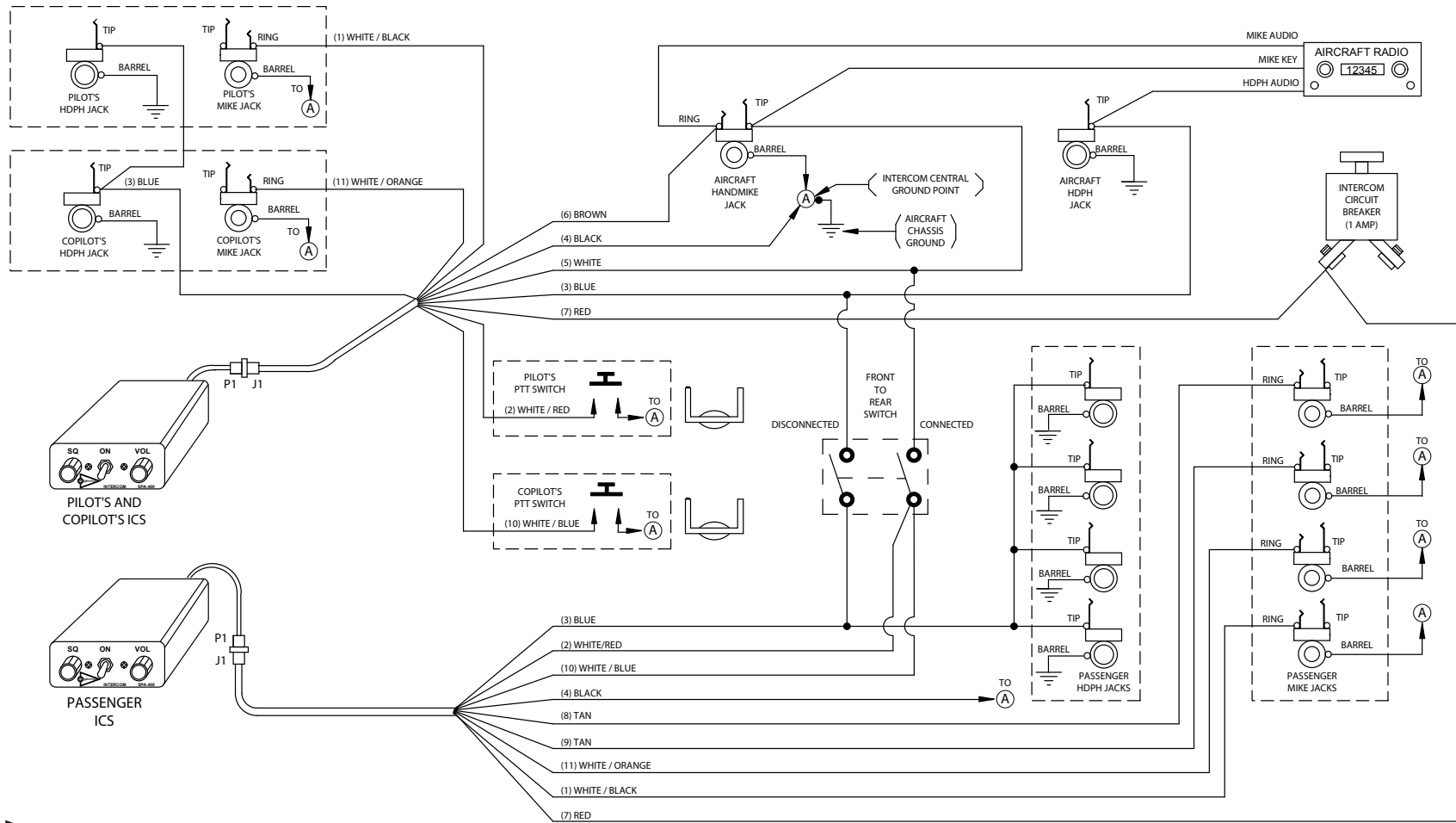


Sigtronics Dual SPA-400 / 600 Installation Instructions

This easily installed configuration, for four place and higher, uses standard Sigtronics intercoms. It allows pilot and co-pilot to transmit and receive on the aircraft radio and intercom between themselves, while back passengers can have a separate conversation without interrupting the front two. This is commonly known as "Crew Isolate". Rear seat passengers conversation will not be interrupted by radio transmit or receive. A commonly available DPDT "link switch" allows you to connect both front and back together. All positions can then intercom and hear radio's in this mode.

Install the front unit as a two place, as usual, for pilot and co-pilot with radio connections and push-to-talk switches. The second, or back unit is installed for intercom only - no need to install radio connections or push-to-talk wiring. Both units and the intercom link switch should be mounted together up front so the pilot can control operations. You will need to label the link switch "ISO" and "ALL". For intercom plus stereo music, see Dual ST-400 / 600 installation sheet.



Specialists in "SOUND" Management

178 East Arrow Highway, San Dimas, CA 91773 (909) 305-9399